

Accessories

shut-off valves belong to
DIN 16 270, DIN 16 271,
DIN 16 272



Application:

It is principle appropriate to install a barricade between the pressure measuring instrument and pressure pipe. Shut-off valves between the pressure pipe and the pressure gauge make it possible to control or exchange a pressure measuring instrument without a breakdown. For shut-off valves with a test connection, it is possible to connect an additional test pressure measuring instrument.

Stop valves could be applied (according to the choosen material) from PN 250 to PN 400 and for a measuring material temperature from -20°C to 200°C for liquids, gases and steam.

Model, Standard

connection, G 1/2 belongs to DIN 16 288 valve-case with vent screw stem and pin from rustproof and acid-proof steel Stuffing box made of PTFE handwheel = synthetic material silicon free

Options

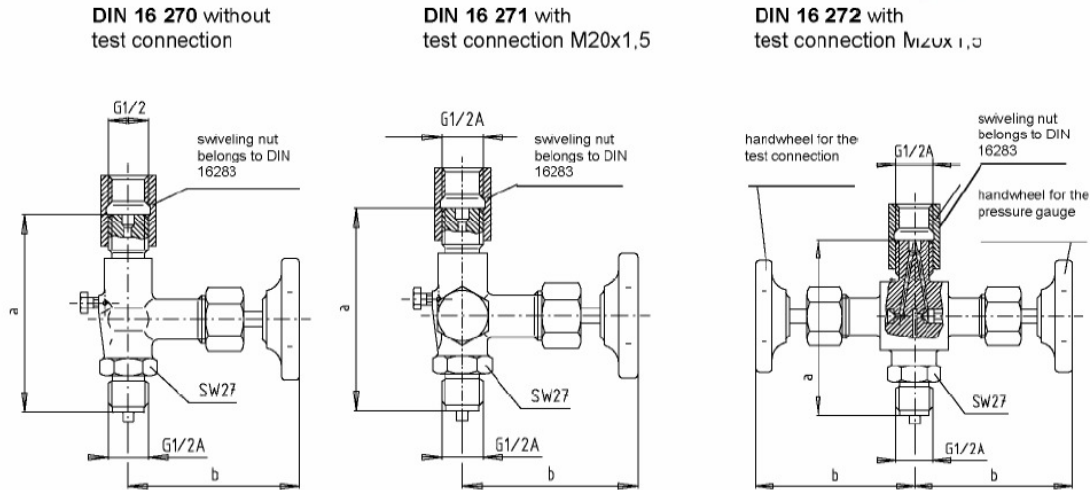
oil and fat free
Inspection certificate 3.1 B DIN 50 049/EN 10 204

Model	connection	material	PN [bar]	temperature-range	form	article-no.:
without test connection belong to DIN 16 270	1/2 NPT 2)	Ms	250	-10 to 120°C	A	
		1.4571	400	-20 to 200°C	A	
	G 3/8	Ms 1)	250	-10 to 120°C	A	
	G 1/2	Ms 1)	250	-10 to 120°C	B	60b15 1
					A	60 15 2
		1.4571	400	-20 to 200°C	B	60b15 2
A					60 15 3	
B	60b15 3					
with test connection M20 x 1,5 belong to DIN 16 271	1/2 NPT 2)	steel	250	-20 to 200°C	A	
		1.4571	400		A	
	G 1/2	Ms 1)	250	-10 to 120°C	A	70 15 1
					B	70b15 1
		1.4571	400	-20 to 200°C	A	70 15 2
					B	70b15 2
A	70 15 3					
B	70b15 3					
with test connection 60 x 25 x 10 mm belong to DIN 16 271	G 1/2	Ms 1)	250	-10 to 120°C	A	71 15 1
		St	400	-20 to 200°C	A	71 15 2
belong to DIN 16 272 with a sepearte turn of test-connection M20 x 1,5 60 x 25 x 10 mm	G 1/2	Ms 1)	250	-10 to 120°C	A	81 15 1
					B	81b15 1
		St	400		A	81 15 2
					B	81b15 2
	1.4571	400	-20 to 200°C	A	81 15 3	
				B	81b15 3	
G 1/2	Ms 1)	250	-10 to 120°C	A	80 15 1	

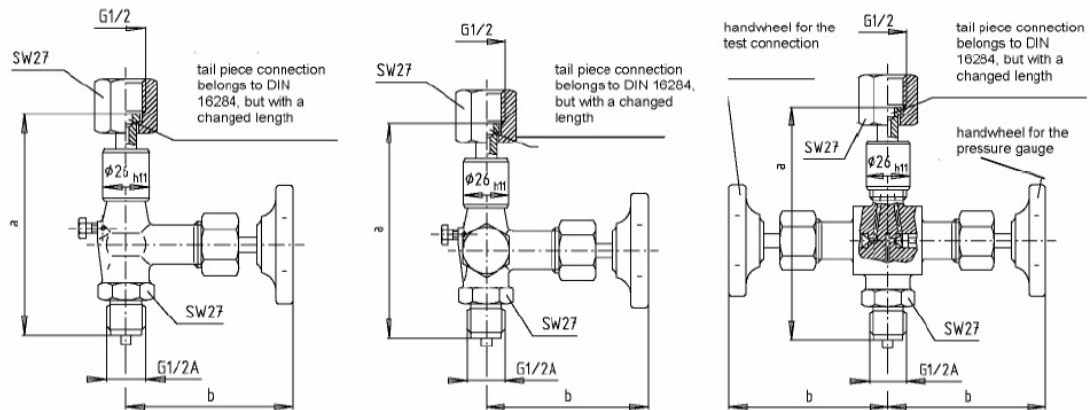
1) swiveling nut steel 2) fixed female



Form A, with swiveling nut



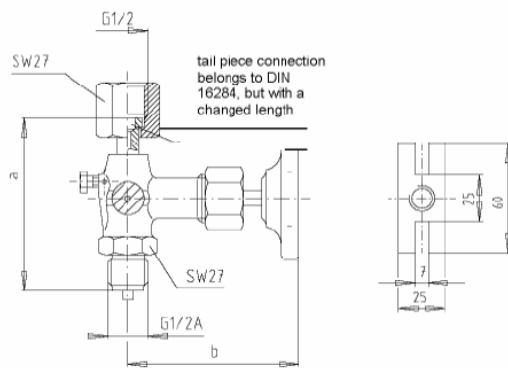
Form B, union nut with tail piece for gauge holder



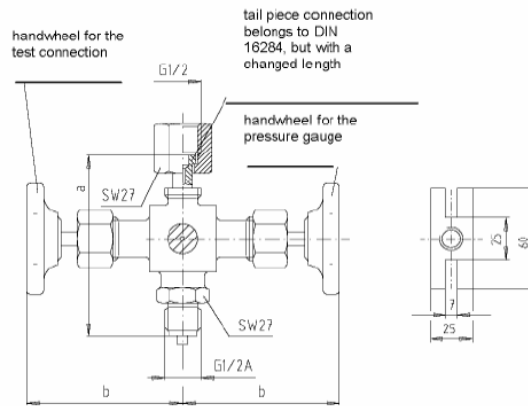
Model	Dimensions [mm]		Weight [kg]		
	a	b ± 0,5	MS	St	1.4571
DIN 16 270					
Form A	100 ± 1	85	0,54	0,52	0,52
Form B	114 ± 5	85	0,61	0,56	0,56
DIN 16 271					
Form A	100 ± 1	85	0,67	0,65	0,65
Form B	114 ± 5	85	0,79	0,74	0,74
DIN 16 272					
Form A	100 ± 1	85	0,95	0,95	0,95
Form B	114 ± 5	85	1,00	1,00	1,00

Form A, union nut with tail piece

DIN 16 271 with
test connection flange 60 x 25 x 10 mm



DIN 16 272 with a separate turn
test connection flange 60 x 25 x 10 mm



Model	Dimensions (mm]		Weight [kg]		
	a	b ± 0,5	MS	St	1.4571
DIN 16 271					
Form A	100 ± 1	85	0,69	0,75	--
DIN 16 272					
Form A	100 ± 1	90	1,00	--	--

Dimensions for shut-off valves mit NPT-thread on request.