

Stainless steel bourdon tube pressure gauges

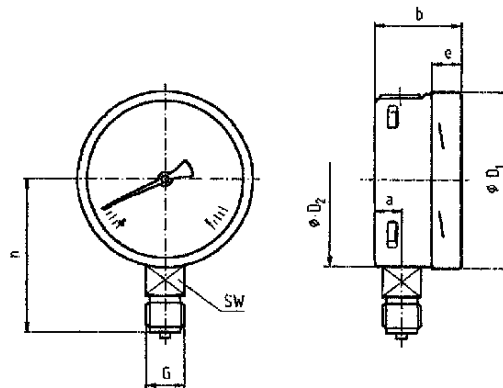
EN 837 Bottom connection

DN, 63, 100, 160



These all stainless steel pressure gauges are designed for harsh conditions and to meet the stringent demands of pressure measurement in production plants of the chemical industry and in other comparable industrial sectors. The use of high quality materials such as stainless steel, both for the measuring system and case provides resistance to aggressive media in environments. The glycerine filling provides smooth pointer motion, thus ensuring an accurate reading even under extreme load and strong vibration conditions.

Model	MK63S	MK100S	MK160S
Nominal size	63	100	160
Accuracy	1,6%	1,0%	1,0%
Range	From 0...100kPa to 0..25MPa, -100...0kPa, DIN 16128		
Application	Constant load : 0,9 x end of scale value, Alternating load: 1,3 x end of scale value		
Case	Stainles steel 1.4301 (304H)		
Window	Safety glass		
Dial	Al white, black printing scale		
Movement	Stainless steel 1.4571 (306Ti)		
Pointer	Al black		
Connection	Bottom, radial	Bottom, radial	Bottom, radial
	G 1/4"	G 1/2" or M20x1,5	
Temperature	Medium: -20°C...100°C; ambient: -20°C...60°C		



Model	Ø D1	Ø D2	e	h	G	W	a	b
MK63S...	68	62	6	55	G 1/4"	14	8,5	28
MK100S...	101	99	18	90	G 1/2", M20x1,5	22	18	48
MK160S...	158	149	13	110	G 1/2", M20x1,5	22	20	48